

HEMODIALYSIS TRAINING

CLASS LOCATION

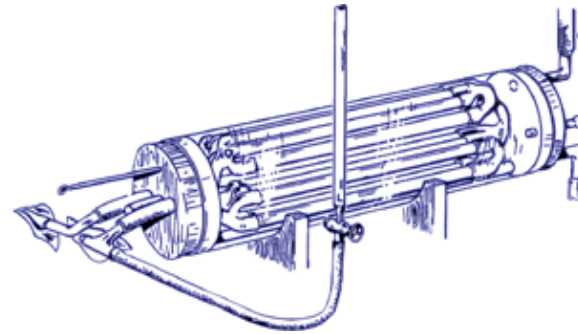
HEMODIALYSIS, INC.

710 West Wilson Avenue
Glendale, CA 91203-2409

Phone: 818-500-8736

Fax: 818-500-9452

www.hemodialysis-inc.com



Practicum Based
For Nurses &
Patient Care
Technicians

PROGRAM HISTORY

Hemodialysis, Inc. (**Hi**) conducts a "Practicum Based Hemodialysis Training Program. **Hi** has been directly involved in end stage renal disease (ESRD) since 1964. We have trained hemodialysis: physicians, nurses and technicians since 1966. Because of a registered nurse (RN) shortage in 1970, we developed the standard for patient care technicians (PCTs) to supplement hemodialysis patient care. We wrote the white paper describing this training as part of a California manpower study conducted through USC Department of Medicine. We founded the California Dialysis Council (CDC) and passed legislation for RNs and PCTs.



Hemodialysis, Inc. (Hi)
Sponsor of American Dialysis College
710 West Wilson Avenue
Glendale, CA 91203-2409



HEMODIALYSIS

SCHOOL DIRECTOR

John R. De Palma, MD, FACP
CEO, Hemodialysis, Inc. (Hi)

COURSE DESCRIPTION

This course is an intensive education for any direct caregiver in the field of hemodialysis. It provides all usual skills required for employment in a dialysis facility. Hemodialysis is a growth industry, offering many employment opportunities. Students learn to take care of patients on the artificial kidney machines.

Lecture topics include: principles of dialysis, anatomy and physiology of the kidney, fluid and electrolyte balance, hematological aspects, infectious diseases, dialysis systems and equipment, vascular access to the circulation, routine aspects of hemodialysis, dietary regulation, blood chemistries, complications of renal failure, psycho-social aspects, and an overview of peritoneal dialysis and renal transplantation.

Instruction in the dialysis clinics is all "hands-on" and includes: preparation of the artificial kidneys, patient assessments, universal precautions, fluid management, initiating and concluding dialysis, access to the circulation, patient and equipment monitoring, and the treatment of routine hemodialysis problems in accordance with the standard dialysis procedures and policies of the facilities. Our faculty's sole duty is to teach and supervise students in the clinical facilities.

COURSE CREDIT

1. **No college credit is offered.**
2. Students successfully completing the program will receive a Certificate of Achievement with 30 continuing education hours. Hemodialysis, Inc. (Hi) is an approved provider of continuing education, Board of Registered Nursing (BRN) Provider #CEP2359 and...
3. A Transcript of Record with the final letter and numerical grade and number of hours completed during program.

Hemodialysis Technicians - Eligible to apply for state certification as a "Certified Hemodialysis Technician" (CHT). State Certification is offered through the California State Department of Health Services, Licensing and Certification. Hi is an approved provider for Hemodialysis Technician training. State Certification provider identification training number 64.

PREREQUISITES

1. Current California Registered Nurse (RN) license. —or—
2. Current California License Vocational Nurse (LVN)
3. High school diploma or equivalency for non-nurses. Be at least 18 years of age.
4. Ability to speak, read, write and understand the English language. Students born outside the USA should have language skills equal to a 4th level English as a Second Language (ESL) class.
5. Successful completion of aptitude test (Hi-G2).
6. Personal interview at Hi Wilson office.
7. Department of Motor Vehicles H6 form.
8. No prior criminal record or drug abuse problem.

PROGRAM FEES

1. **RNs** — \$4,500.00 (Accelerated program)
2. **PCTs / LVNs** — \$5,500.00
3. Additional cost for textbooks, malpractice insurance, physical examination, laboratory tests, uniforms and supplies is approximately \$600.00.

REGISTRATION PROCESS

1. **Complete** application form @ Hi Wilson office: Monday – Friday; 8 AM – 4 PM.
2. You will receive a **Catalogue & Enrollment Agreement** that covers all required information in detail. **Please read.**
3. **Take** aptitude test.
4. **Complete** personal interview @ Hi Wilson office.
5. **Pay** a \$500.00 deposit **after acceptance** in the class and **sign** enrollment agreement.
6. A **non-refundable** processing fee of \$75.00 will be held.
7. **Pay full tuition** prior to class start date. . Master Card, VISA, check, and money order accepted. No cash accepted.

AFTER YOU REGISTER

Submit the following **prior** to the first day of class:

1. All health standards documentation.
2. Copy of current cardiopulmonary resuscitation card.
3. Copy of Malpractice Insurance purchases through the insurance carrier for American Dialysis College.
4. RNs & LVNs — copy of nursing license.
5. PCTs—copy of high school diploma or equivalency.

CLASS SCHEDULE

Two (2) classes offered each year in the Fall and Spring. Start dates and days to be announced. All students:

- Sixteen (16) week class
- Lecture — four (4) hours per week
- Clinical — eight (8) hour days; vary between 7:00 - 5:30 PM
- Class days may vary between weekdays and Saturday.

RNs Only — 320 Hours Total

Two and one-half (2 ½) days per week.

2 clinical days per week.

PCTs / LVNs Only — 512 Hours Total

Four (4) days per week

3½ clinical days per week.

FOR THOSE WHO WORK: we will attempt to accommodate your working schedule with a 3 day weekend.

HEALTH STANDARDS POLICY

You must submit evidence that you are in good health, have no contagious diseases, and no physical restrictions **prior** to the first day of class. Hi dialysis facilities require the following medical documentation to be done within 90 days of the class start date:

1. Complete blood count (CBC).
2. Urinalysis—routine.
3. Hepatitis B surface antibody blood test.
4. Hepatitis B surface antigen blood test.
5. ALT/SGPT blood test within normal limits.
6. Physical exam and medical history. Physical examination and medical history forms are provided when you register.
7. Tuberculin (TB) skin test or chest film, within last 12 months.

Refer to the catalogue for a detailed description of the health standard policies and how to proceed if there are any abnormalities.

Note: Students are encouraged to be vaccinated with the Hepatitis B vaccine series prior to entering the dialysis program.